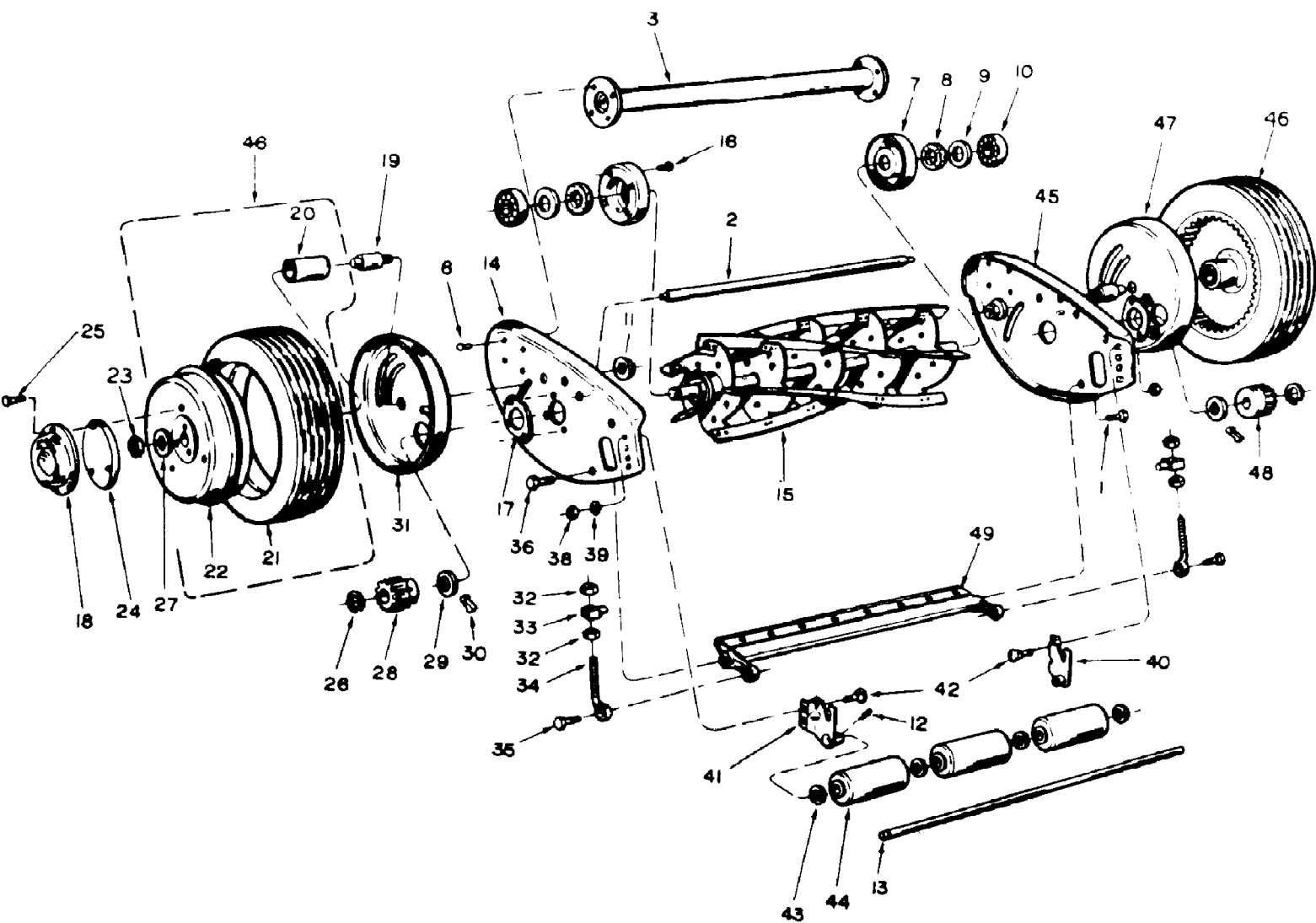


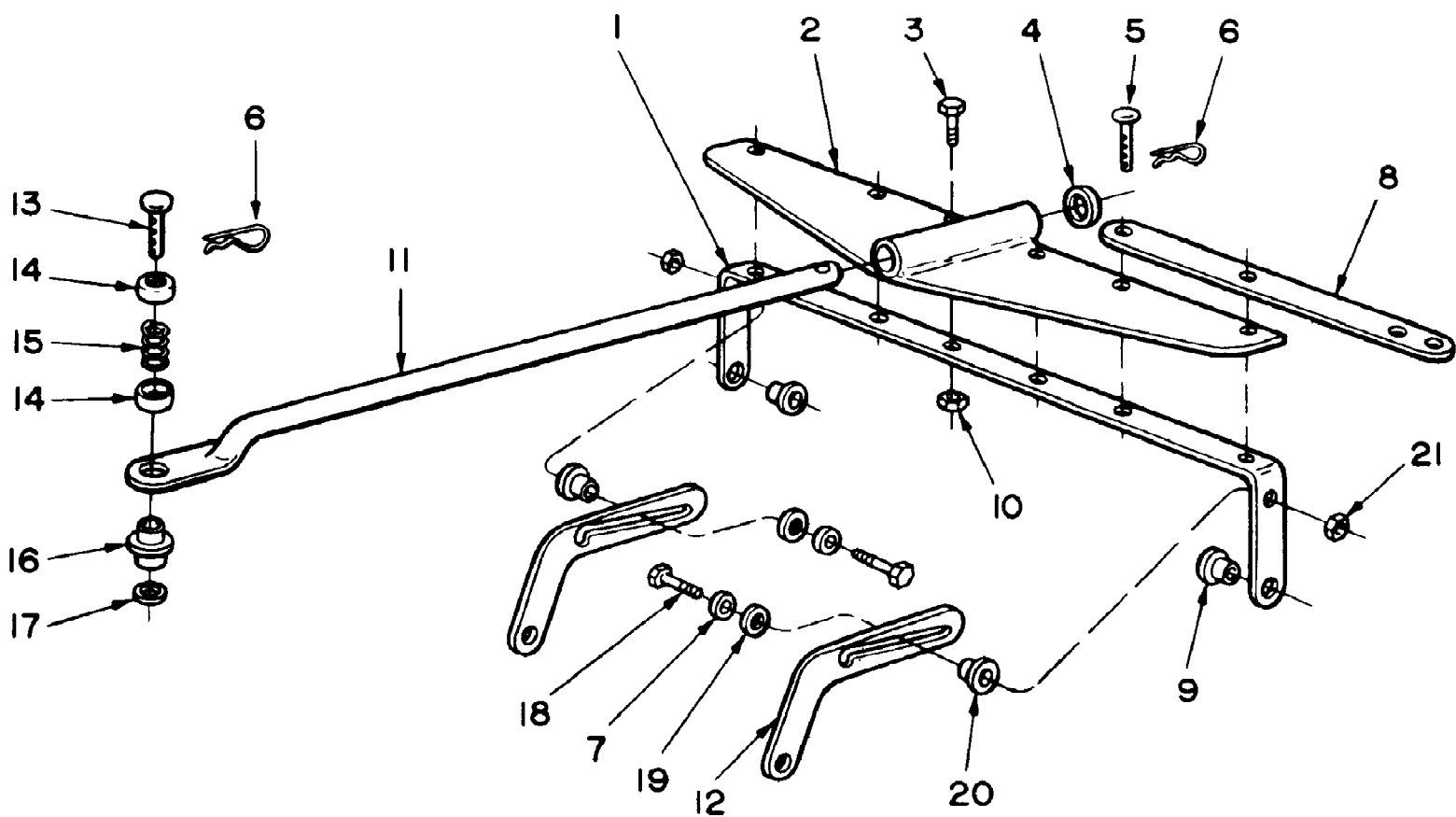
190-467-190 Gang Reel (1987)  
Gang Reel Assembly



190-467-190 Gang Reel (1987)  
Gang Reel Assembly

Page 2 of 4

Ref #	Part Number	Qty	S/P/F	Description
1	1509-086	1		Screw Front L.H. Thd.
2	2624-110	1		Spacer End Plate
3	1112-015	1		Spacer Tube Ass'y.
6	1530-006	1		Rivet 3/16 x 3/8 Rd. Hd.*
7	1629-028	1		Retainer
8	0104-000	1		Felt Washer
9	0106-000	1		Felt Retainer
10	0003-000	1		Bearing
11	1137-003	1		Nut-Special
12	1548-007	1		Roll Pin
13	1632-084	1		Roller Shaft
14	1129-180	1		End Plate Trunnions-L.H.
15	3135-036	1		Reel Ass'y.-21 "
16	1530-020	1	S	Rivet 3/16 x 13/32 Rd. Hd.*
17	1629-009	1		Bearing Retainer
18	2674-027	1		Hub Cap
19	1631-051	1		Axle
20	1652-052	1		Bearing
21	2619-034	1		Tire
22	1110-030	1	/P	Drive Wheel-Less Tire
23	1650-001	1	S	Retaining Ring
24	2718-003	1		Wheel Weight
25	1511-029	1		Scr. #10-32 x 1 3/8 Thd. Cutting
26	1650-021	1	S	Retaining Ring*
27	1540-118	1		Washer
28	0428-000	1		Pinion Gear-L.H.
29	0109-000	1		Felt Washer
30	0323-000	1		Pawl
31	1118-014	1		Gear Housing-L.H.
32	0052-000	1	S	Hex Nut 3/8-24 Semi Fin*
33	0011-000	1		Trunnion
34	0451-000	1		Cutter Bar Adjusting Bolt
35	0453-000	1		Screw-Rear
36	0455-000	1		Screw-Front R.H. Thd.
38	0070-000	1	S	Nut 5/8-18*
39	736-0119	1	S	L. Wash. 5/16" I.D.*
40	2132-045	1		Roller Brkt.-R.H.
41	2132-044	1		Roller Brkt.-L.H.
42	2003-000	1		Carr. Bolt 5/16-18 x 1 *
43	1540-059	1		Washer 1/2 x 1 1/16*
44	1658-012	1		Roller-3 Required
45	1129-181	1		End Plate with Trunnions-R.H.
46	1108-095	1		Drive Wheel Ass y. wlti re
47	1118-013	1		Gear Housing-R.H.
48	0425-000	1		Pinion Gear-R.H.
49	3134-024	1		Cutter Bar Ass'y.



190-467-190 Gang Reel (1987)  
Hitch Assembly

Page 4 of 4

Ref #	Part Number	Qty	S/P/F	Description
1	3698-003	1		Bridge
2	3111-068	1		Tow Bar Plate Ass'y.
3	1509-017	1	S	Bolt 5/16 x 18 x 1*
4	1540-058	1		Washer
5	0041-042	1		Clevis Pin
6	1547-005	1	S	Cotter Pin
7	1552-008	1	S	Washer-Special
8	1697-005	1		Outrigger Bar
9	1657-005	1		Spacer Bushing
10	1538-006	1	S	Nut 5/16-18*
11	3125-006	1		Tow Bar Ass'y.
12	2609-217	1		Transport Brkt.
13	1545-008	1		Clevis Pin
14	0041-035	1		Spring Cup
15	0041-036	1		Spring
16	1657-016	1		Bushing
17	0041-046	1	S	Washer 11/32 x 7/8*
18	1513-045	1		Shoulder Bolt
19	0141-000	1		Washer
20	1624-135	1		Spacer
21	1538-008	1	S	Hex L-Nut 1/4-20*